



# V851

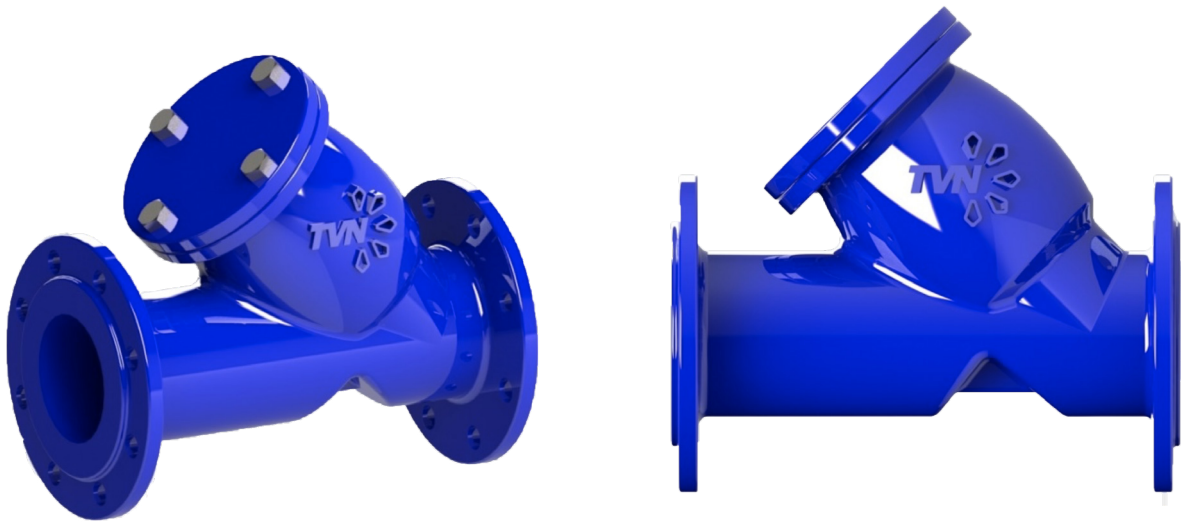
## Y- STRAINER



### Product Features

---

- Can be installed either vertically or horizontally as long as the strainer part is downwards located
- The Stainless Steel filter material ensures longer life.
- Widely used in Heating, Cooling, Ventilation systems, for water and agricultural purposes
- With the discharge nut located on the cover part, easy to clean when needed. Ball valve attachment on discharge nut is optional
- By removing the cover part, screen mesh filter can be replaced
- The mesh size is precisely selected in order to be used in wide range of applications. In addition maintains a lower pressure loss. Filter mesh sizes can be changed upon request on volume based orders
- Painted internally and externally by epoxy painting
- Magnetic rod attachment can be applied on cover part when filtration of metallic particles are needed



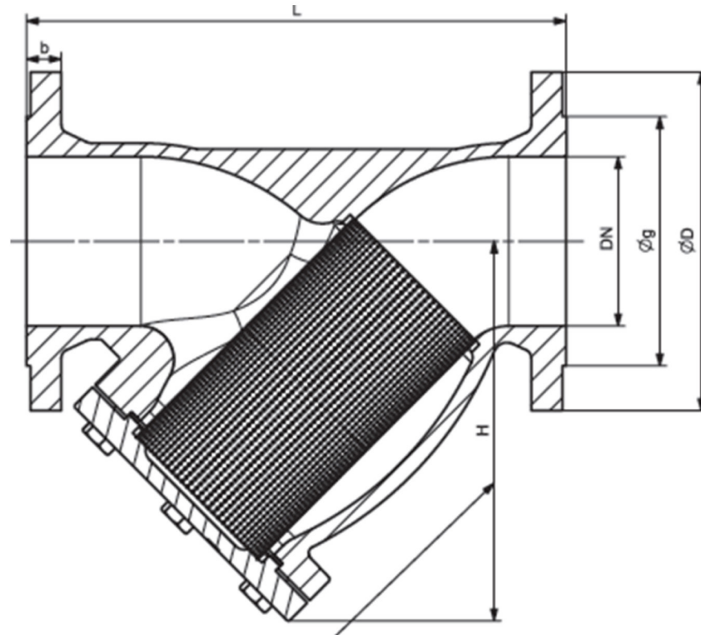


# V851

## Y- STRAINER



### Dimensions Table



DN	L	D	g	H	b	Mesh
50	230	165	99	145	19	10
65	290	185	118	165	19	10
80	310	200	132	175	19	7
100	350	220	156	235	19	7
125	400	250	184	265	19	7
150	480	285	211	300	19	4
200	600	340	266	340	20	4
250	730	405	319	390	22	4
300	850	460	370	440	24.5	4
350	980	520	429	520	26.5	4
400	1100	580	480	630	28	4
500	1250	715	609	900	31.5	4
600	1450	840	720	1100	36	4