

V705

BRASS GATE VALVE



Product Description

TVN V705 Gate valve, also known as a sluice valve, is a valve which opens by lifting a round or rectangular gate/wedge out of the path of the fluid. The distinct feature of a gate valve is the sealing surfaces between the gate and seats are planar, so gate valves are often used when a straight-line flow of fluid and minimum restriction is desired.



Technical Data	
Size range	DN15 - DN50
Pressure range	PN10 - 16 - 25
Temperature	-10°C to +110 °C
Connection	Threaded EN ISO 228-1
Testing	EN 12266 - 1
Marking	EN 19

Application Range

- Housing heating & cooling applications
- City water network
- Hot water and compressed air installations
- Steam
- Compressed air installations

Related Products

- V701 Brass Ball Valve
- V702 Brass Strainer
- V703 Brass Swing Check Valve
- V703 Brass Spring Check Valve

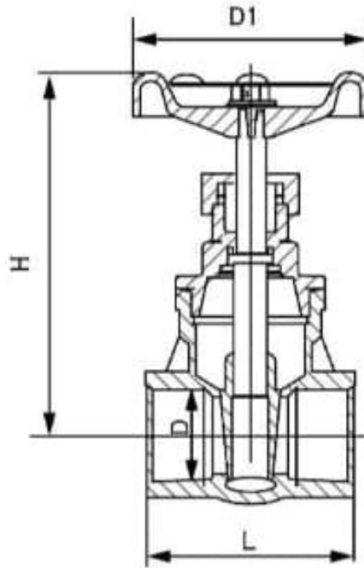


V705

BRASS GATE VALVE



Material List & Dimensions Table



DN - inch	DN - mm	D1 ø	L	H	D ø
1/2"	15	1.97	1.77	2.68	0.51
3/4"	20	1.97	1.97	2.95	0.59
1"	25	2.36	2.28	3.35	0.75
1 ¼"	32	2.36	2.48	3.78	1.02
1 ½"	40	3.07	2.6	4.33	1.13
2"	50	3.07	2.95	5.12	1.74
2 ½"	65	3.94	2.99	6.54	2.31
3"	80	4.21	3.11	7.32	2.82
4"	100	5.12	4.25	8.27	3.84

Part	Material
Body	CuZn40Pb2 Brass
Bonnet	CuZn40Pb2 /CW617N Forged Brass
Stem	CuZn40Pb2 Brass
Stop Ring	CuZn40Pb2 Brass
Packing	NBR
Hand Wheel Nut	AISI 411 Stainless Steel
Hand Wheel	GG25 Cast Iron
Packing Nut	CuZn40Pb2 Brass
Ring	CuZn40Pb2 Brass
Lock Nut	CuZn40Pb2 Brass
Disc	CuZn40Pb2 Brass