

V703

BRASS SWING CHECK VALVE



Product Description

Great for back backflow prevention, the TVN V703 brass swing check valve (also known as a tilting disc check valve) offers a simple dependable way to keep materials flowing in one direction. A disc in the valve opens in only one direction and closes when fluids run the other way. The check valve includes female connections.



Technical Data

Size range	DN15 - DN50
Pressure range	PN10 - 16
Temperature	-10°C to +110 °C
Connection	Threaded EN ISO 228-1
Testing	EN 12266-1
Marking	EN 19

Application Range

- Housing heating & cooling applications
- City water network
- Hot water and compressed air installations
- Steam
- Compressed air installations

Related Products

- V701 Brass Ball Valve
- V702 Brass Strainer
- V704 Brass Spring Check Valve
- V705 Brass Gate Valve



HVAC



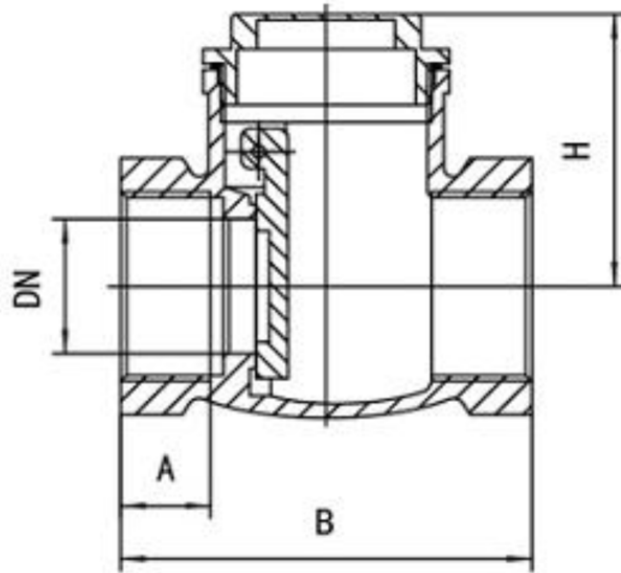
POTABLE WATER

V703

BRASS SWING CHECK VALVE



Material List & Dimensions Table



DN - inch	DN- mm	A	B	H
1/2"	15	13	52	42
3/4"	20	14	62	45
1"	25	15	71	54
1 1/4"	32	18	84	64
1 1/2"	40	18	87	67
2"	50	20	106	72

Part	Material
Body	CuZn40Pb2 Brass
Bonnet	Forged Brass
Disc	CuZn40Pb2 Brass
Coating	CuZn40Pb2 Brass
Sealing	PTFE