

V525

PRESSURE SUSTAINING AND REDUCING CONTROL VALVE



Product Description

TVN V525 Pressure Sustaining and Reducing Control Valves are used to adjust inlet and outlet pressure on downward-sloping systems. It regulates the overflow and high pressure and enables system to work on normal values on downward-sloping systems. It keeps the outlet pressure stable without being affected by pressure waves.



Technical Data	
Size range	DN40 - DN300
Pressure range	0,7 - 16 bar (10 - 240 psi)
Temperature	-10°C to +80 °C
Flange drilling	Flanged EN 1092-2 / ISO 7005-2 Threaded ISO (BSP) - ANSI (NPT)
Coating	Polyester Epoxy
Testing	EN 12266-1
Marking	EN 19

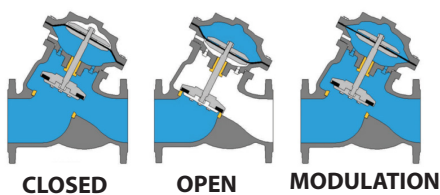
Application Range

- Water applications
- Household implementation
- Supply of water fire extinguishing
- Various applications of industrial systems.
- Food and chemical enterprises

Assembly

- Valve can be assembled horizontally or vertically.
- Valve must be on the same level with main-lines during installation.
- Install the valve on direction with arrow shown on the valve.
- Isolation valves (gate valve, butterfly valve, silt trap etc.) could be installed before or after the installation.

Working Principle



IRRIGATION



POTABLE WATER



FIRE FIGHTING

V525

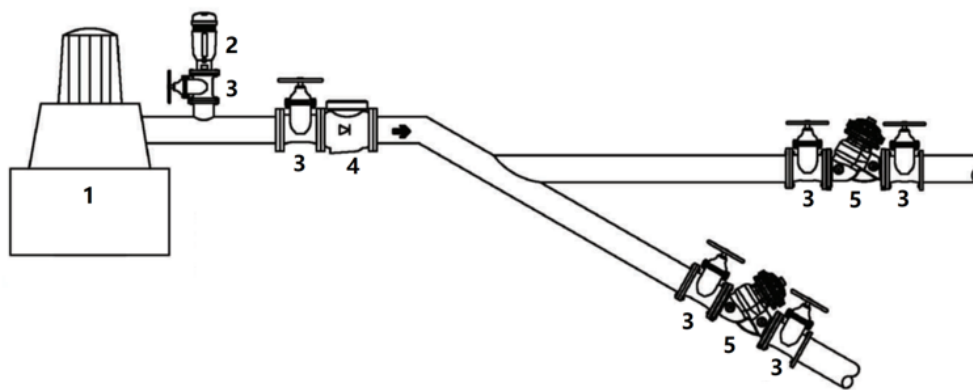
PRESSURE SUSTAINING AND REDUCING CONTROL VALVE



Product Features

- Features
- No need for extra energy by running on pressure network.
- Easy and zero adjustment to demanded pressure.
- Pressure reduction without being affected by pressure and flow changes in network.
- Easy maintenance.
- Low Cavitation risk.

Application System



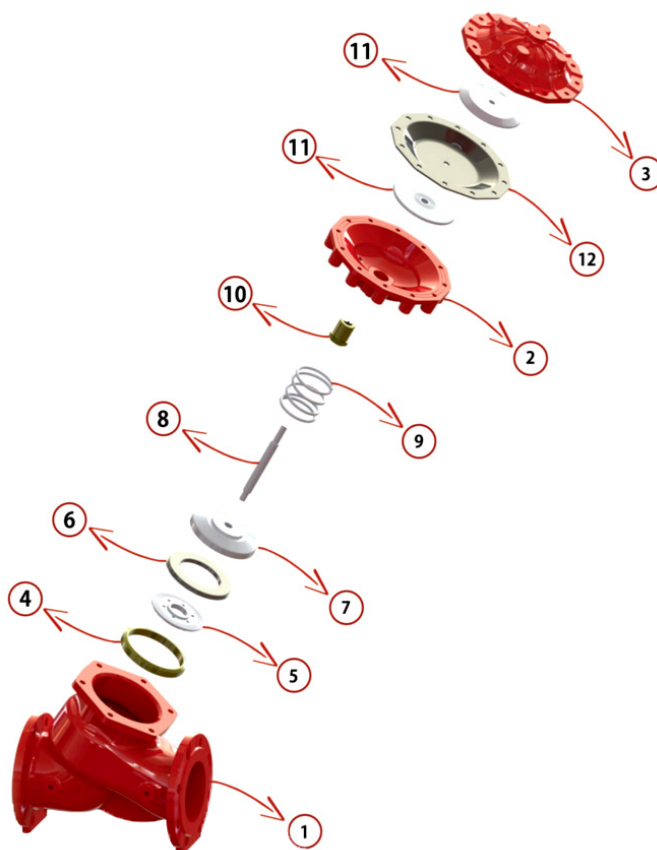
- 1- Pump
- 2- Air Release Valve
- 3- Isolation Valve
- 4- Check Valve
- 5- Pressure Sustaining & Pressure Reducing Control Valve

V525

PRESSURE SUSTAINING AND REDUCING CONTROL VALVE



Material List



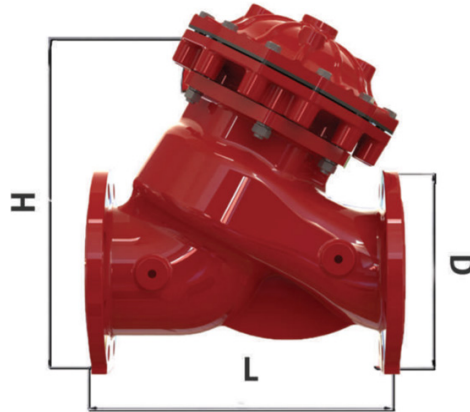
No	Part	Material
1	Body	GGG50 Ductile Iron
2	Centre Piece Body	GGG50 Ductile Iron
3	Bonnet	GGG50 Ductile Iron
4	Sealing Ring	Brass / Bronze
5	Disc Cover	AISI 420 / 304 / 316 Stainless Steel
6	Disc Gasket	Buna-N
7	Disc	AISI 420 / 304 / 316 Stainless Steel
8	Shaft	AISI 420 / 304 / 316 Stainless Steel
9	Spring	AISI 420 / 304 / 316 Stainless Steel
10	Centre Piece Body Shaft Nut	Brass / Bronze
11	Diaphragm Disc	AISI 420 / 304 / 316 Stainless Steel
12	Diaphragm	Neopren

V525

PRESSURE SUSTAINING AND REDUCING CONTROL VALVE



Dimensions Table



DN		L		D		H		Weight	
inch	mm	inch	mm	inch	mm	inch	mm	lbs	kg
2"	50	8.4	215	6.2	165	10.6	270	13	5.9
2½"	65	8.6	220	7.2	185	11.3	288	14	6.4
3"	80	10.6	270	7.8	200	13.3	340	26	11.8
4"	100	12.9	330	8.6	220	15.3	390	38	17.2
5"	125	13.1	335	9.8	250	16.5	420	39	17.7
6"	150	16.9	430	11.2	285	20.4	520	80	36.3
8"	200	21.2	540	13.2	340	26.2	668	142	64.4
10"	250	24.4	620	16	407	30.5	775	230	104.3
12"	300	25.9	660	18.3	466	33.4	850	370	167.8