

V505

PRESSURE RELIEF CONTROL VALVE



Product Description

TVN V505 Pressure Relief Control Valve ensures the system to run safely by draining high pressure wave in a pressure sensing way in systems involving rapid pressure rise. When pressure is above adjustment pressure because of any reason, excessive pressure is drained by opening the valve. it enables the system to be long-lasting and to run safely.



Technical Data	
Size range	DN40 - DN300
Pressure range	0,7 - 16 bar (10 - 240 psi)
Temperature	-10°C to +80 °C
Flange drilling	Flanged EN 1092-2 / ISO 7005-2 Threaded ISO (BSP) - ANSI (NPT)
Coating	Polyester Epoxy
Testing	EN 12266-1
Marking	EN 19

Application Range

- Agricultural irrigation
- Household implementation
- Supply of water fire extinguishing
- Various applications of industrial systems.
- Food and chemical enterprises

Adjustment

With the pilot on the valve connected into inlet, inlet pressure is regulated. While clockwise rotation of the adjustment bolt increases the inlet pressure, counterclockwise rotation decreases it. With the pilot on the valve connected to outlet, outlet pressure is regulated. Clockwise rotation of the adjusting bolt increases the outlet pressure and counterclockwise rotation decreases it.

Working Principle



IRRIGATION



POTABLE WATER

V505

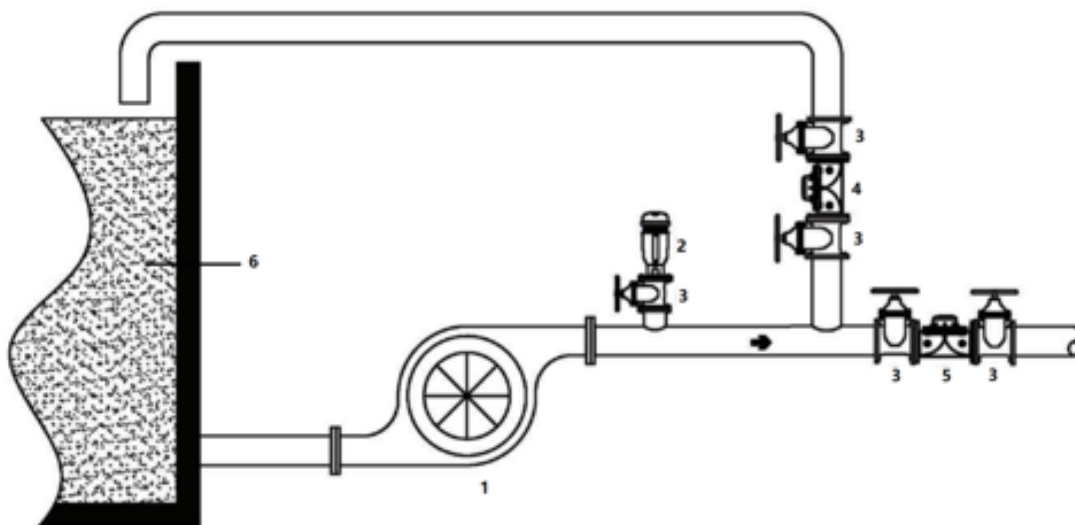
PRESSURE RELIEF CONTROL VALVE



Product Features

- Protection of network against overpressure.
- No need for extra energy by running on pressure network.
- Easy and zero adjustment to demanded pressure.
- To be able to run without being affected by pressure and flow changes in the system.
- Does not require maintenance in operation for a long time due to its corrosion resistant components.
- Has a long working life in operation since coating has been made with phosphorization and over-dried epoxy powder paint.
- Performs perfect modulation in variable flows and even too low flow rates close to zero.
- Has a wide range of application with use of different pilot valves.

Application System



- 1- Pump
- 2- Air Release Valve
- 3- Isolation Valve
- 4- Pressure Relief Control Valve
- 5- Line Valve
- 6- Reservoir

V505

PRESSURE RELIEF CONTROL VALVE



Material List

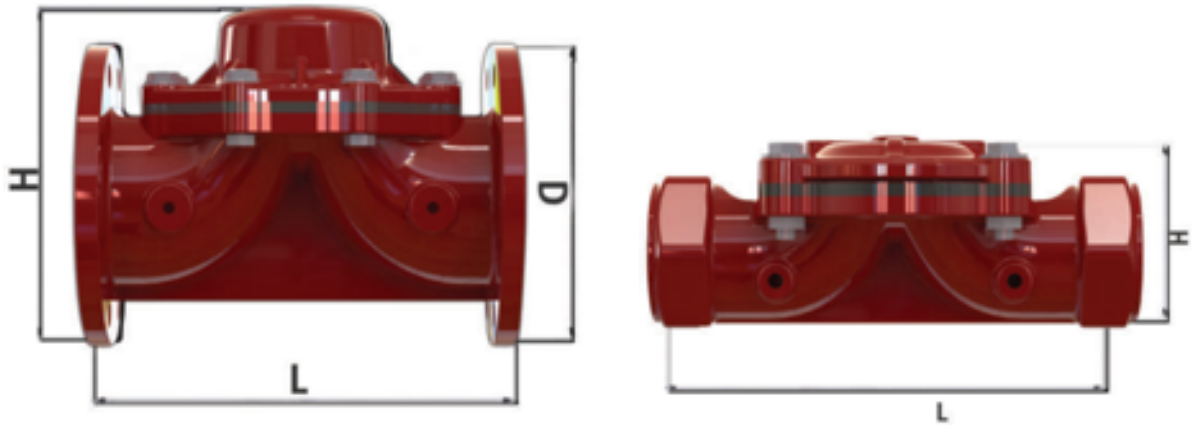


No	Part	Material
1	BODY	GGG40 Ductile Iron / GG25 Cast Iron
2	DIAPHRAM	Court Fabric / Reinforced Natural Rubber
3	COVER	GGG40 Ductile Iron / GG25 Cast Iron
4	WASHER	Plated Steel
5	BOLT	Plated Steel
6	NUT	Plated Steel / MS 58 Brass
7	SPRING THRUST RING	Polyamic
8	SPRING	AISI 304

V505 PRESSURE RELIEF CONTROL VALVE



Dimensions Table



FLANGED CONTROL VALVES									
DN		L		D		H		Weight	
inch	mm	inch	mm	inch	mm	inch	mm	lbs	kg
2"	50	8	204	6.4	165	6.4	165	33	15
2½"	65	8.1	206	7.2	185	7.2	185	36	16.5
3"	80	11.4	290	7.8	200	7.8	200	57	26
4"	100	11.6	296	8.6	220	8.6	220	61	28
5"	125	12.3	314	9.8	250	9.8	250	72	33
6"	150	16.2	413	11.2	285	12.6	321	125	57
8"	200	18.5	470	13.3	340	18.8	403	187	85
10"	250	18.5	470	16	407	17	433	226	103
12"	300	20.8	530	18.3	466	19.5	497	316	145
THREADED CONTROL VALVES									
DN		L		H		Weight			
inch	mm	inch	mm	inch	mm	lbs	kg		
2"	50	8.1	206	4.2	107	28.6	13		
2½"	65	9	230	4.3	110	30.8	14		
3"	80	13.7	350	5.7	145	44	20		