

# V150

## KNIFE GATE VALVE



### Product Description

TVN V150 Wafer Type Resilient Seated Knife Gate Valves are the most preferred valve type of the industry having fibrous fluids like wastewater, paper & mining industry. The knife shaped wedge detaches the fibrous fluid and isolates the pipeline when required. With its very slim structure, can be installed in very narrow places.



Technical Data	
Size range	DN50 - DN2000
Pressure range	PN 10-16
Temperature	-10°C to +130 °C
Face to face	EN 558 Series 20 Lug Type
Flange drilling	EN 1092-2 / ISO 7005-2
Coating	Industrial Powder Epoxy
Testing	EN 12266-1
Marking	EN 19
Operation	Handwheel
	Pneumatic Actuators
	Electrical Actuators

### Application Range

- Water treatment plants
- Sewage applications
- Slurry fluids
- Industrial applications
- Mining industry
- Waste water

### Related Products

- V204 Flanged Ball Check Valve
- V205 Threaded Ball Check Valve
- V985 Pneumatic Actuator
- V982 Electrical Actuator



WASTE WATER



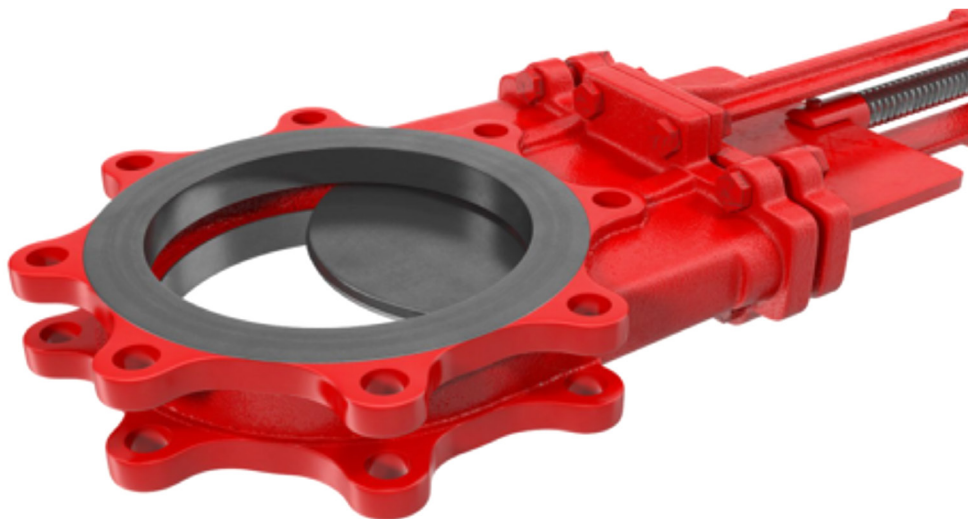
POTABLE WATER



INDUSTRY

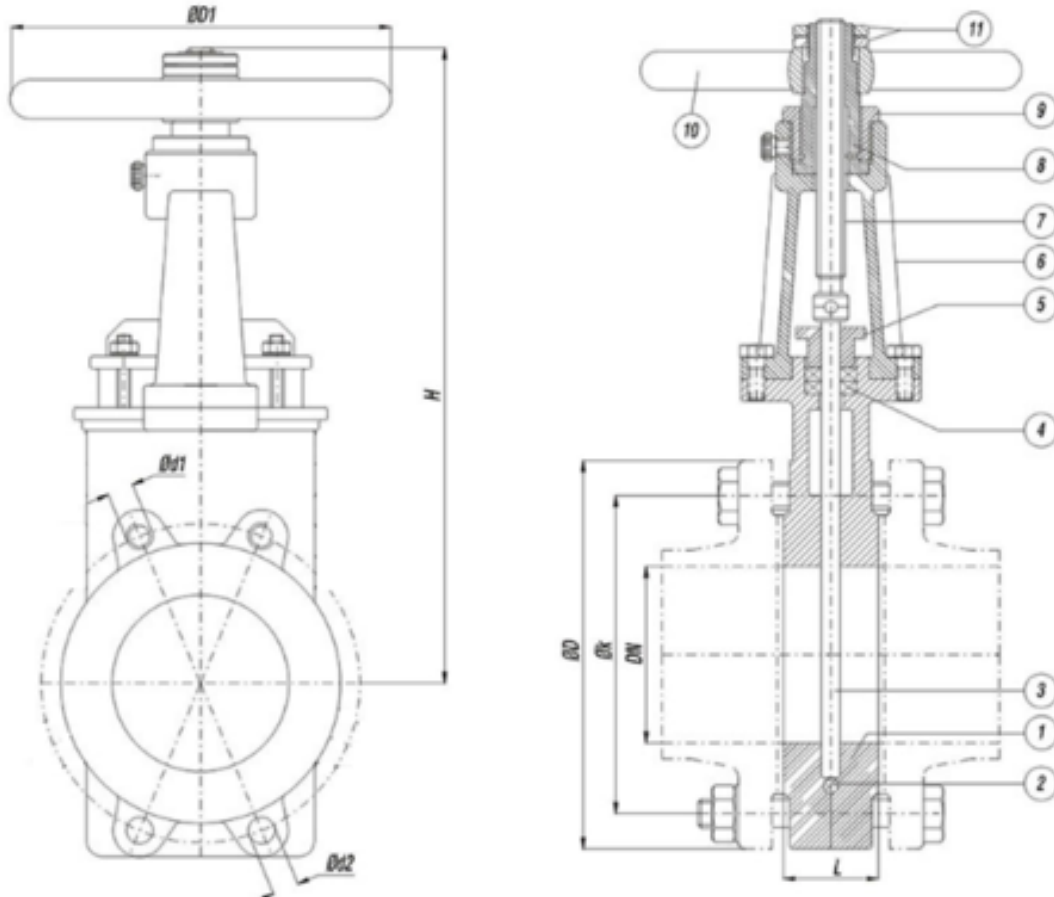
### Product Features

- One piece cast GGG40/50 Ductile Iron Body allows high impact and stretching resistance
- EPDM knife sealing
- Knife, stem, bolts are of SS304 material. Different material grades available upon request
- V150 is for Uni-directional use, flow direction arrow should be followed during installation
- Bidirectional type is also available
- With mechanical position indicator, operation can be observed
- V150 is Rising Stem type. Non-rising stem model is also available
- The design of the body and seat assures non-clogging shutoff
- Provides high flow rates with low pressure drop and increased energy efficiency
- Maintenance free valve design
- This knife gate valve is suitable for liquids that contain a maximum of 5% suspended solids
- Bonnet sealing gasket can be replaced on the line
- Stainless steel stem with threads for high strength
- With precise machined stem, ensures low torque requirements during operation
- Brass stem nut provides fixation of the stem and low torques.
- Possible to install on horizontal and vertical pipelines with varied flow directions
- Full coating on the body and disc internally & externally with an average of 250 microns. Higher coating thicknesses are available when required.
- WRAS approved coating available upon request
- Suitable for shut-off and isolation purposes. Not suitable for regulation purposes
- Electrical actuator connection can be done via additional ISO5211 top flange
- Suitable to use with above-underground applications. Can be operated with handwheel, gearbox, linear pneumatic actuator, electrical actuator, handlever and extension spindle
- Hydrostatic test pressure for seat: PN x 1.1 , for shell: PN x 1.5 according to EN 12266-1.



\* Bi-directional knife gate valve can be manufactured for special requirements.

### Material List - Dimensions Table



PN	DN	L	H	D1	D	k
10/16	50	43	320	200	165	125
10/16	65	46	325	200	185	145
10/16	80	46	370	200	200	160
10/16	100	52	390	225	220	180
10/16	125	56	450	225	250	210
10/16	150	56	490	250	285	240
10	200	60	610	250	340	295
10	250	68	720	315	395	350
10	300	78	850	360	445	400
10	350	78	935	400	505	460
10	400	102	1015	400	565	515
10	500	127	1265	400	670	620
10	600	154	1440	500	780	725

No	Part	Material
1	Body	GG 25 / GGG 40
2	Body Seal	EPDM
3	Wedge	AISI 304 Stainless Steel
4	Packing	PTFE/Graphite
5	Packing nut	GG25 Cast Iron
6	Yoke	GG25 Cast Iron
7	Stem	AISI 420 Stainless Steel
8	Yoke Nut	MS58/Bronze
9	Centering nut	MS58/Bronze
10	Handwheel	GG25 Cast Iron
11	Handwheel nut	MS58/Bronze